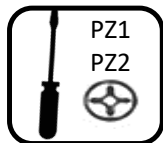
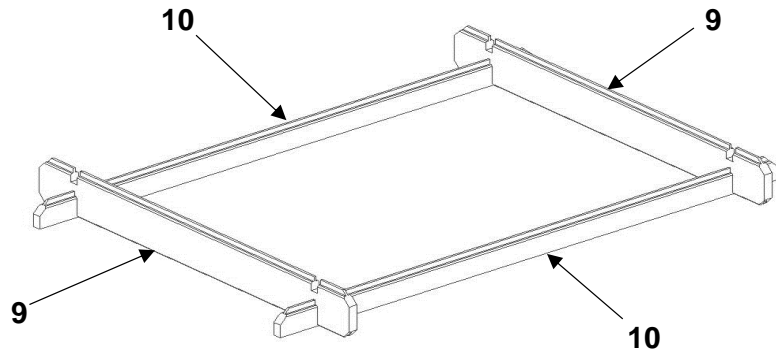


**1.20x0.89m**  
h= 1.132 m

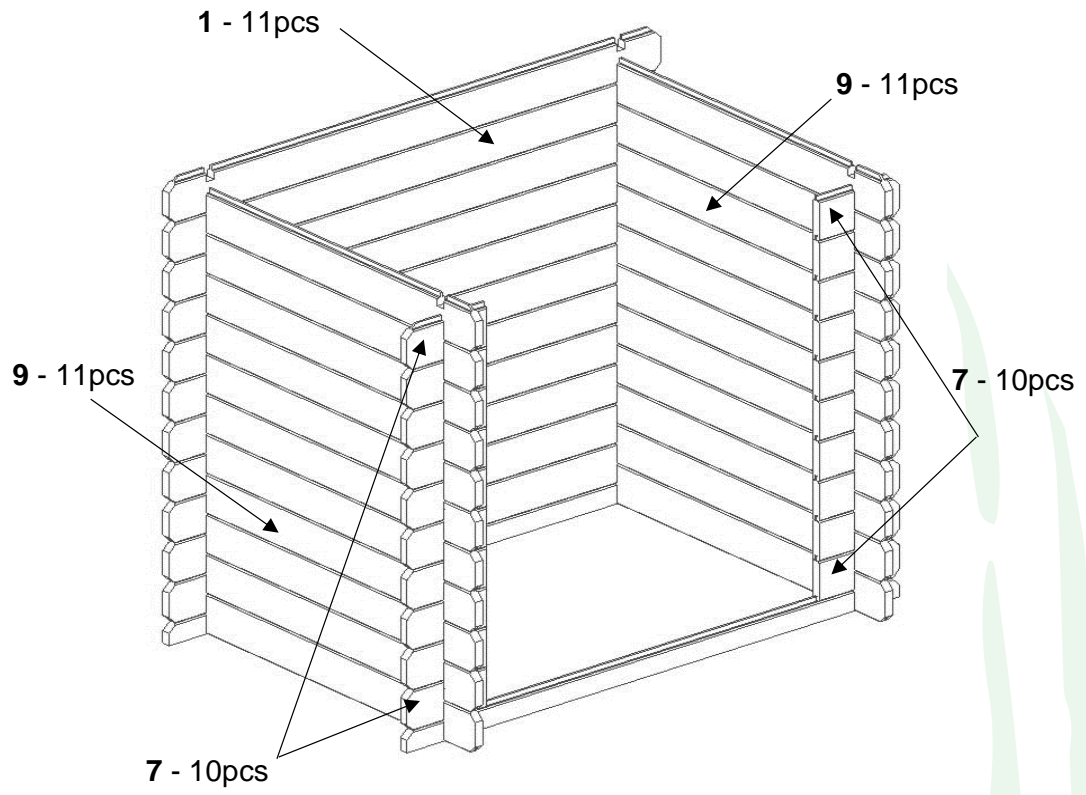
**19**  
**mm**



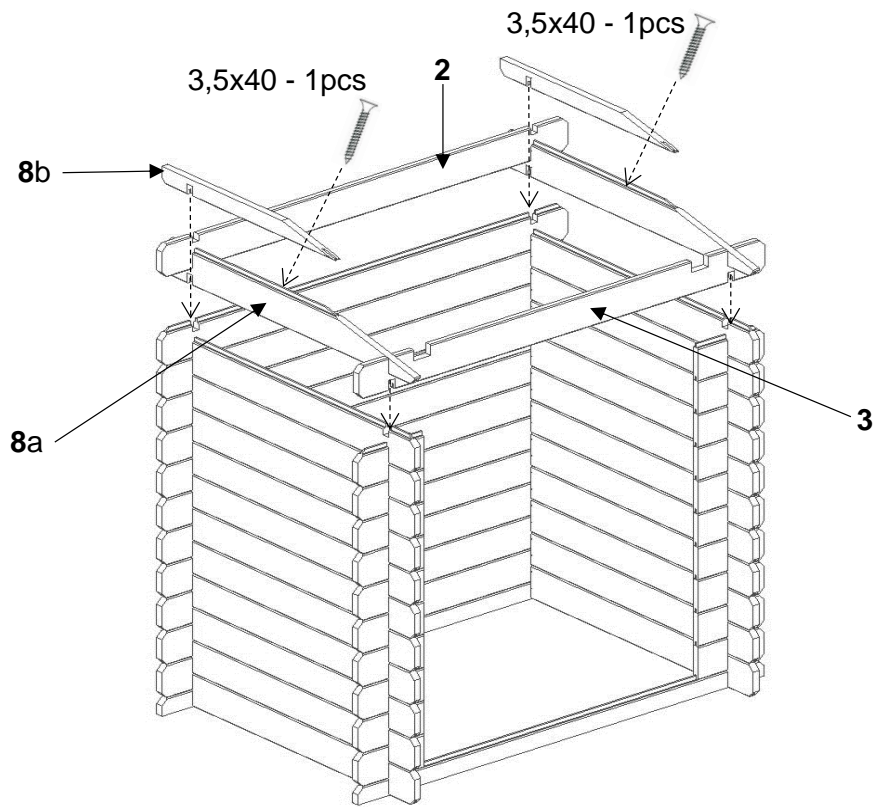
I



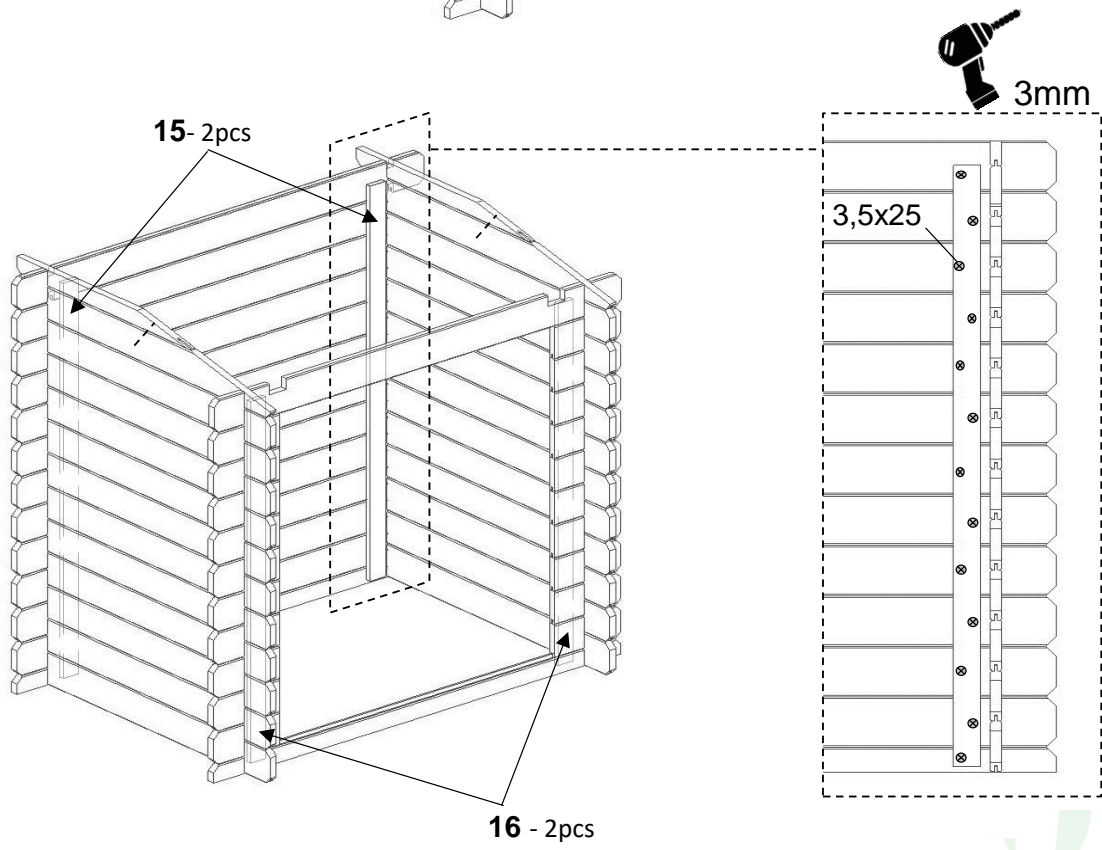
II



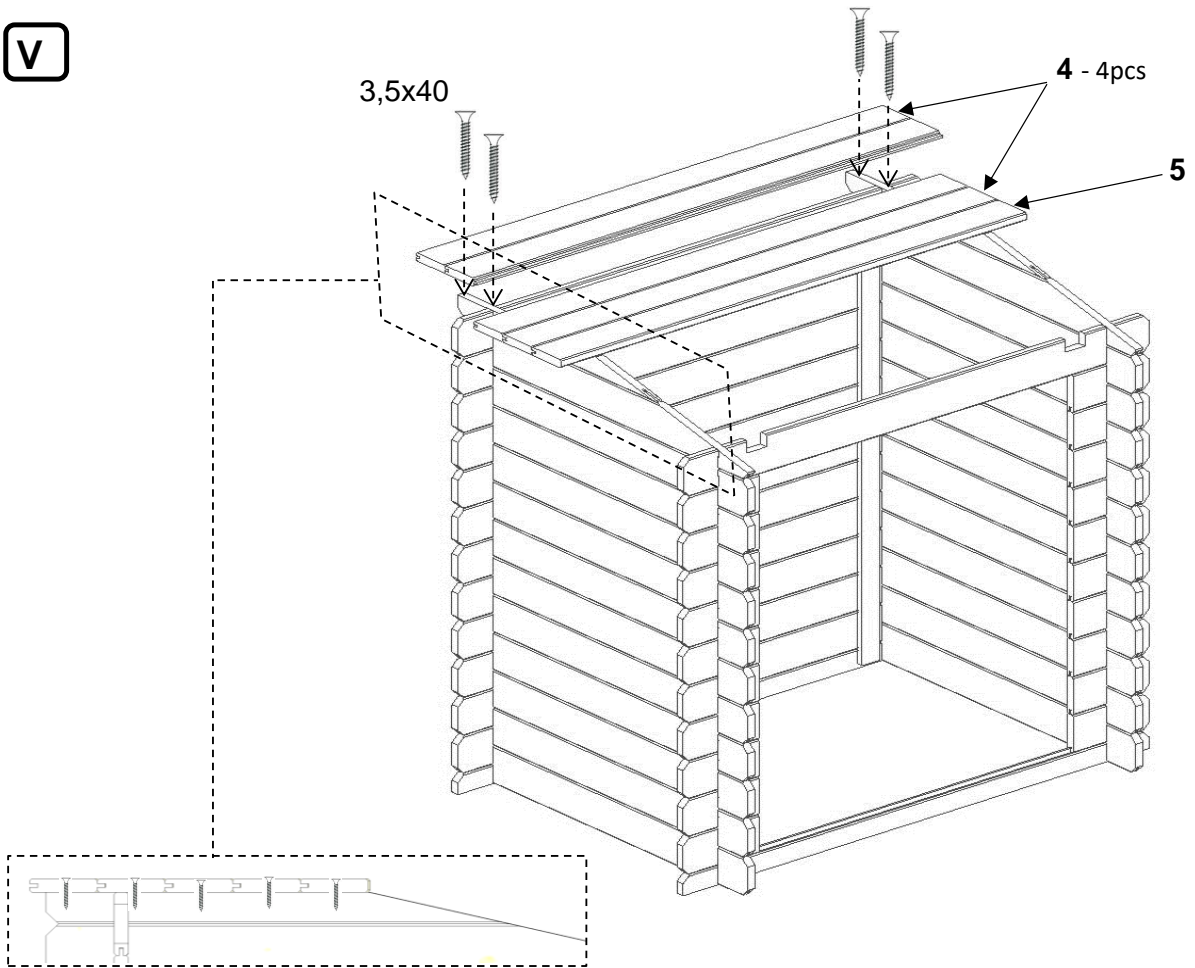
III



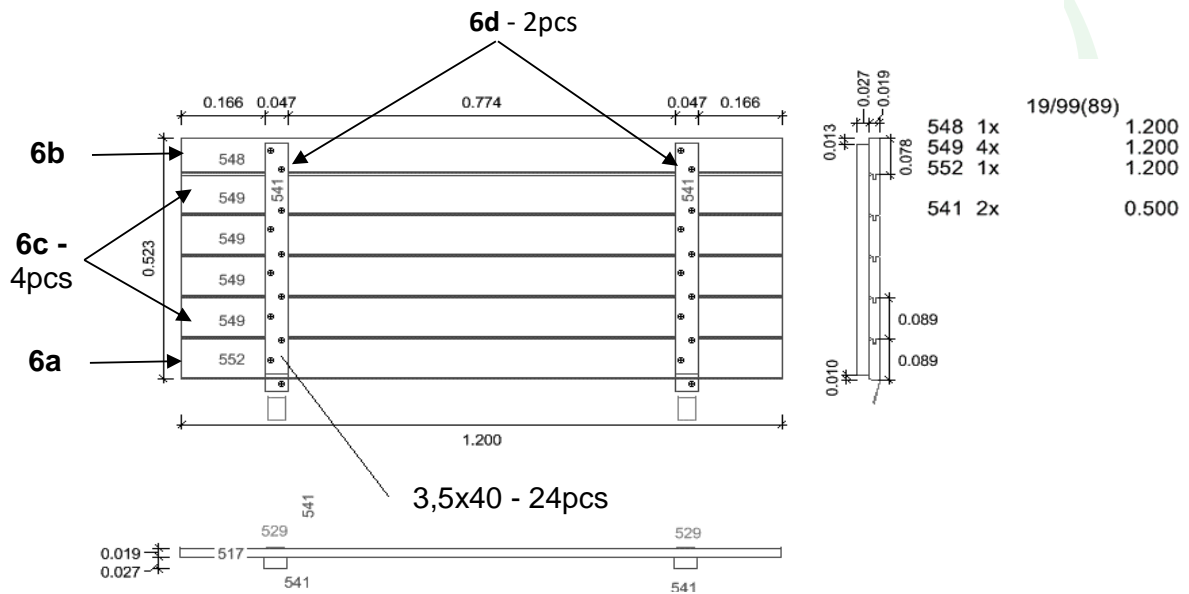
IV

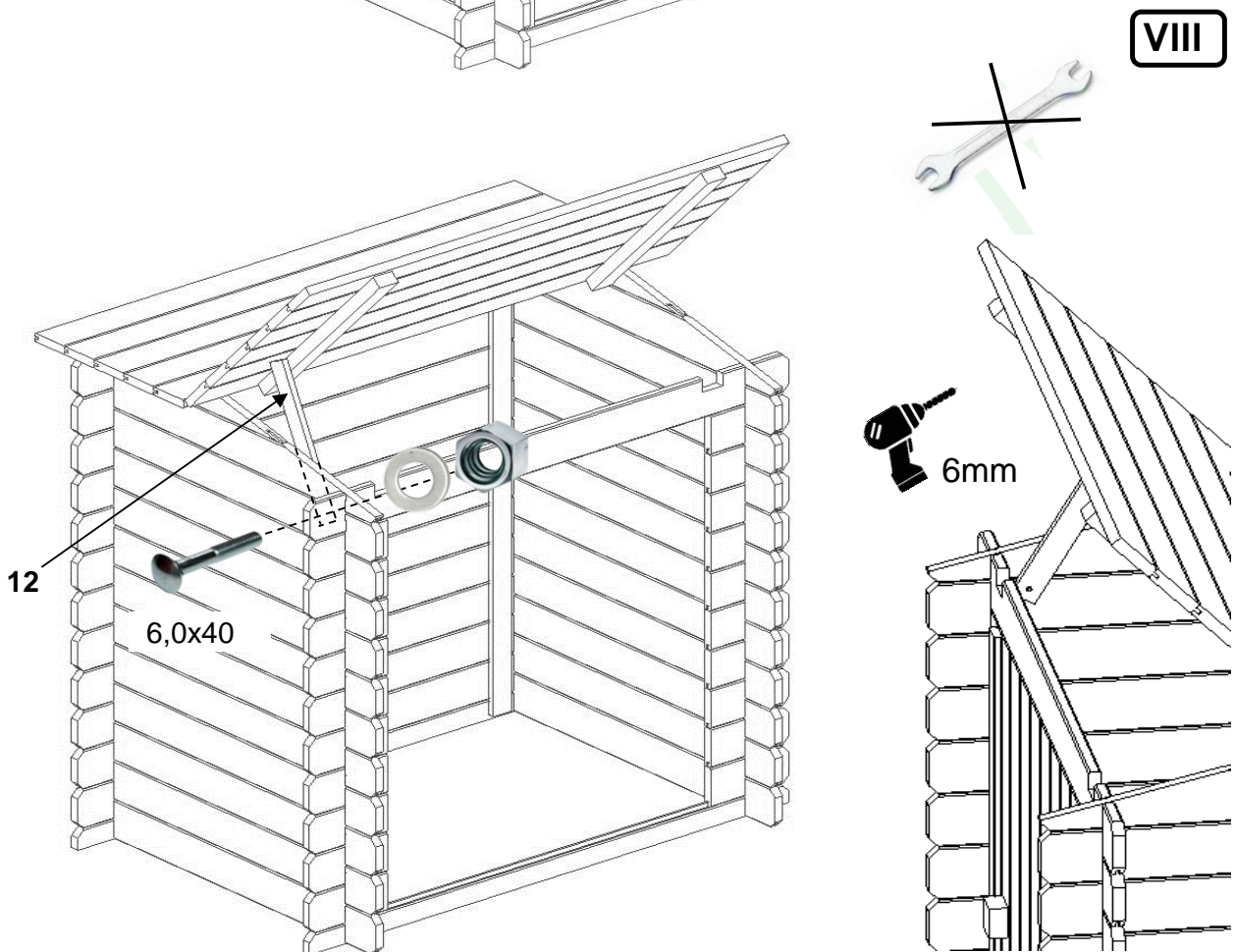
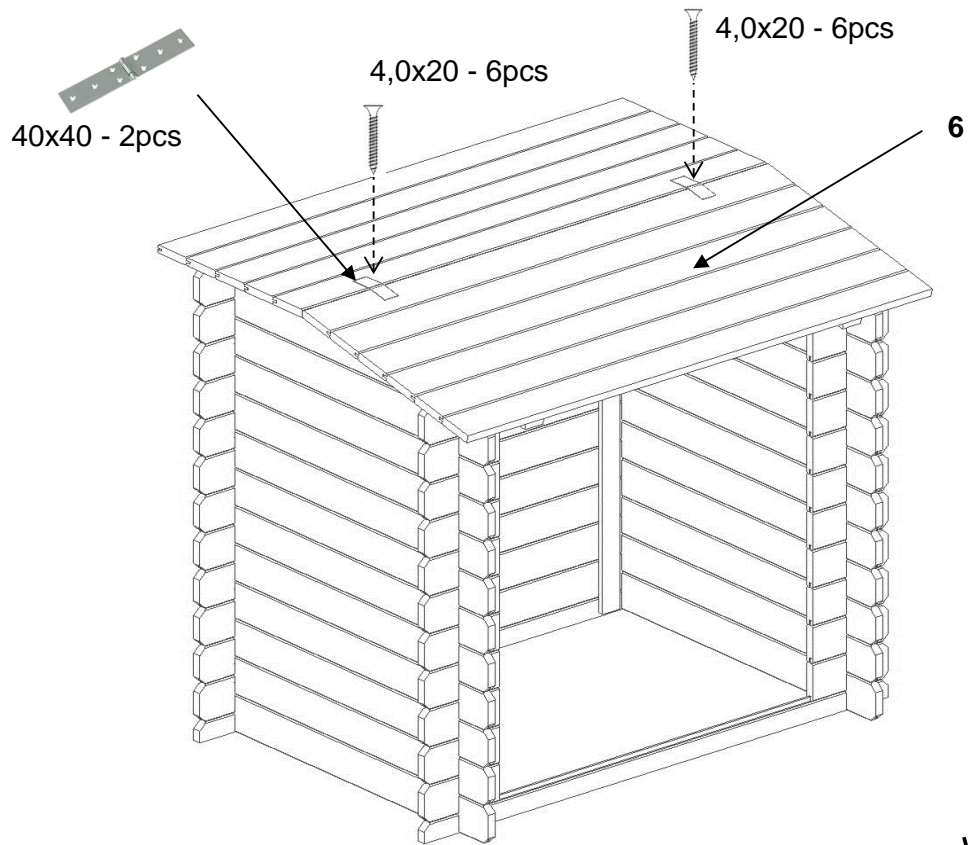


V

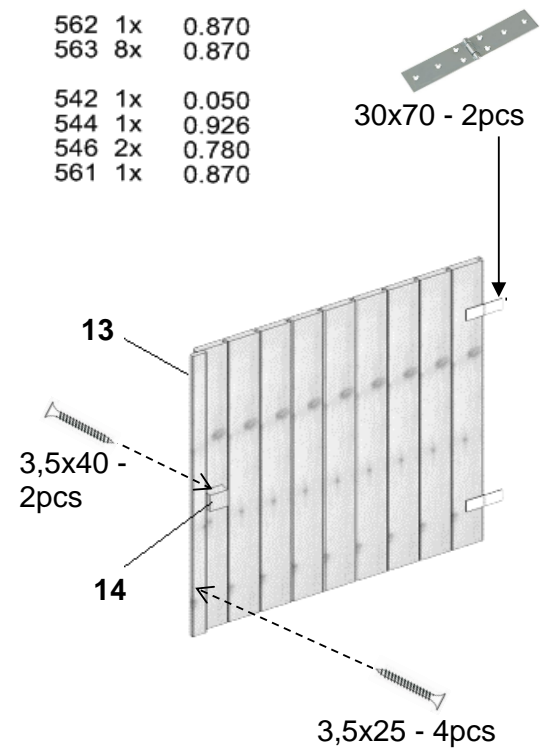
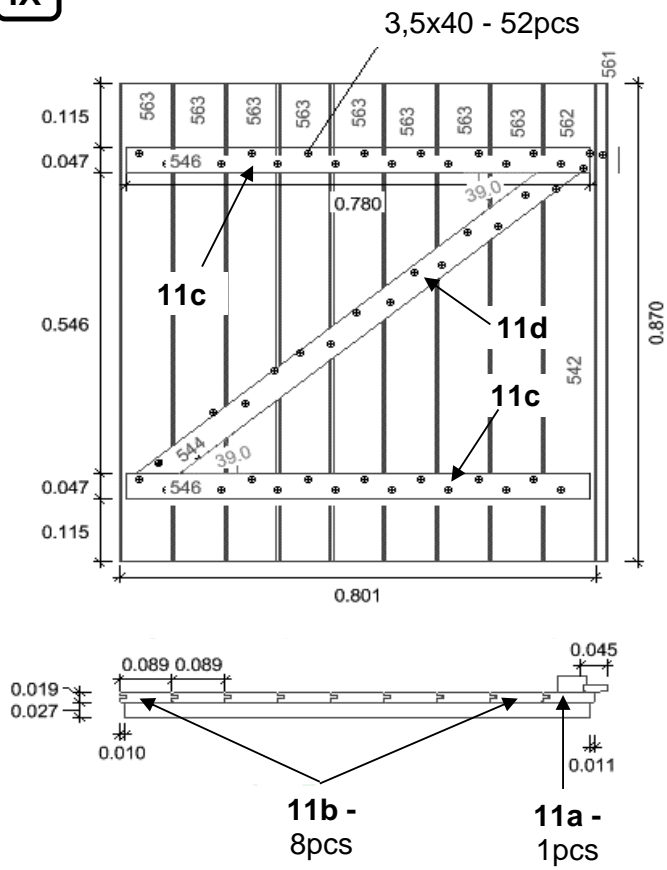


VI

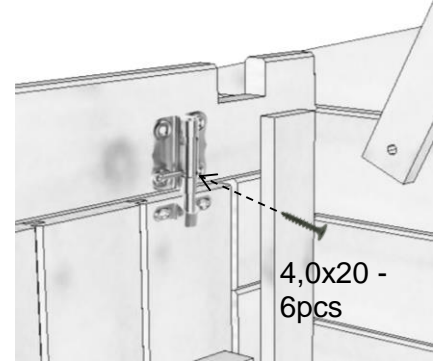
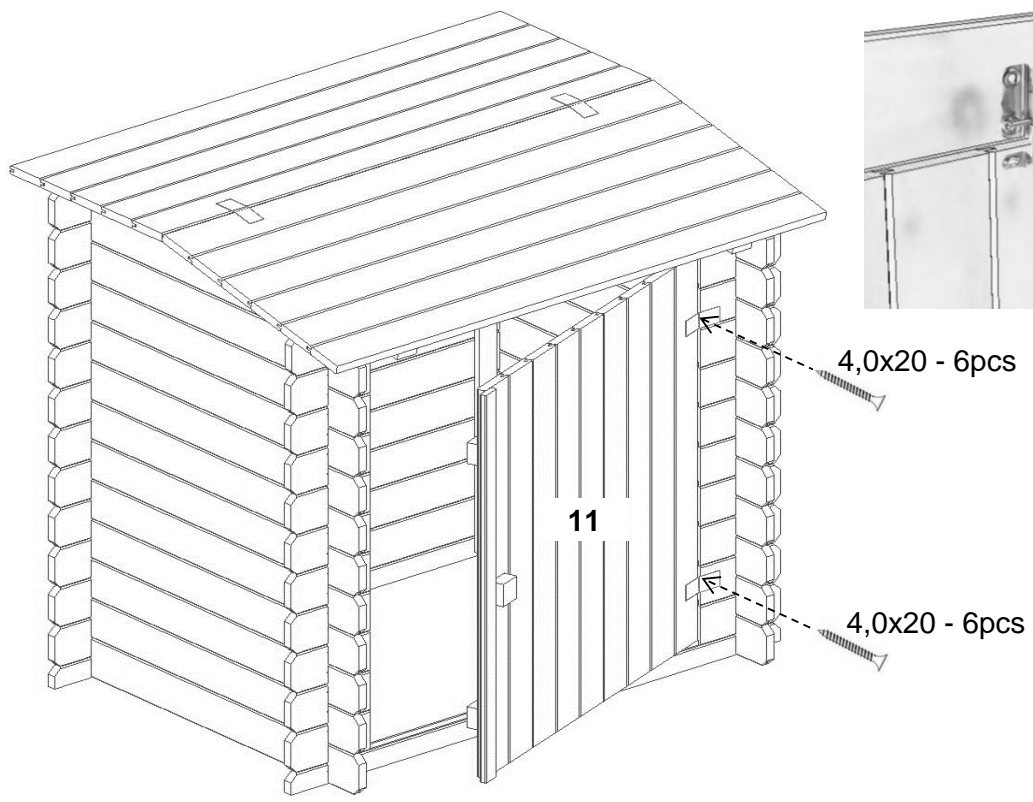



































**IX**



**X**



		element	dimensions	quantite
		<b>1</b> 	1200x99x19	11
		<b>2</b> 	1200x89x19	1
		<b>3</b> 	1200x89x19	1
		<b>4</b> 	1200x99x19	4
		<b>5</b> 	1200x89x19	1
<b>6</b>		<b>6a</b> 	1200x523x46	1x
		<b>6b</b> 		1x
		<b>6c</b> 		4x
		<b>6d</b> 		2x
		<b>7</b> 		195x99x19
		<b>8A</b> 	890x99x19	2
		<b>8B</b> 	609x45x19	2
		<b>9</b> 	890x99x19	22
		<b>10</b> 	1200x54x19	2
<b>11</b>		<b>11a</b> 	870x801x46	1x
		<b>11b</b> 		8x
		<b>11c</b> 		2x
		<b>11d</b> 		1x
		<b>12</b> 		330x45x13
		<b>13</b> 	870x45x13	1
		<b>14</b> 	50x50x28	1
		<b>15</b> 	1060x45x13	2
		<b>16</b> 	970x45x13	2

		30x70	2
		40x40	2
A		4,0x20	30
B		3,5x25	54
C		3,5x40	90
D		6x40	1
E			1